

BioEnergieTeam Fresh water tank & buffer



Vertical store solar accumulator UNO/DUO – Hot water for comfort

The new UNO/DUO vertical store generation was developed to comply with current market requirements. It expands and complements our range of indirectly heated tanks for central hot water preparation with a device with a perfect price-performance ratio. This tank series can be combined with any boiler and with any central energy generation plant.

Overview of Advantages

- High-quality double enamel pursuant to DIN 4753 part 3, incl. magnesium anode protection
- Large smooth-pipe heat exchangers for best heat transfer
- High-quality 50 mm PU solid foam insulation (100% CFC and HCFC-free) with visually appealing silver outer sheath
- Variable sensor terminal strip for customisation



P/PR Buffer – A Customised Heat Accumulator

The BioEnergieTeam P/PR buffers are suitable for connection to any hot water central heating systems, no matter if they are solid fuel or oil-fuelled boilers, heat pumps, solar plants, gas or electric flow heaters. Several buffers can be connected to form accumulators to adjust the storage volume depending on your individual requirements.

Overview of Advantages

- High-quality steel container with outer corrosion protection coating
- High-quality detachable 100 mm PU soft foam insulation (100% CFC and HCFC-free) with visually appealing silver outer sheath
- Large smooth-pipe heat exchangers for best heat transfer (PR type)

A perfect team

A combination of fresh water station, solar plant as heating support and buffer forms an unparalleled team in respect of efficiency and environmental sustainability. Fresh water technology means flow-method fresh water preparation without legionella. Contact us to request documentation on our fresh water station right away.



Fresh water technology

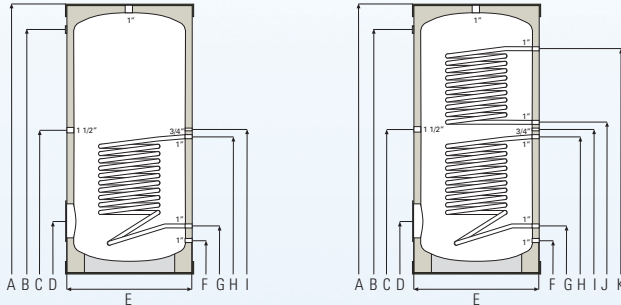
Biomass heating systems

Heat pumps

► Solar Energy

BioEnergieTeam Fresh water tank & buffer

Vertical store and solar accumulator Uno/Duo



UNO

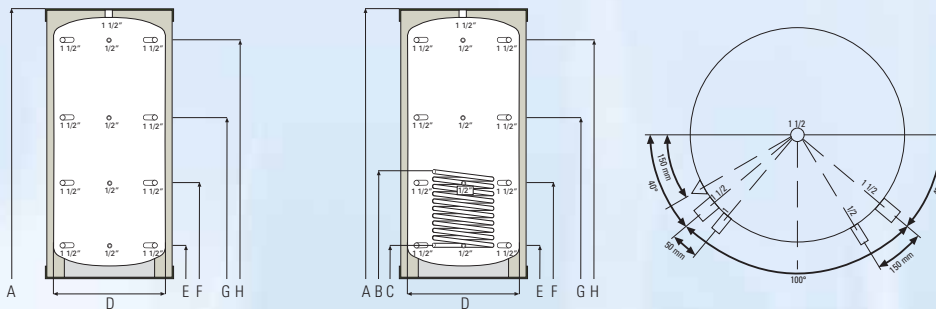
Type:	¹ A Height	B	C	D	E ^Ø	F	G	H	I	J	K	Tip Dimension	Heating Area m ²	NL number	² Weight
160	1111	724	668	305	610	85	263	503	563	-	-	1192	0,6	2	89
200	1339	1050	803	305	610	85	263	636	718	-	-	1400	1	3,5	121
300	1790	1507	983	305	610	85	263	836	898	-	-	1835	1,5	7	149
400	1839	1521	983	345	680	85	320	880	960	-	-	1885	1,8	10	182
500	1853	1498	1095	425	760	85	370	930	1010	-	-	1910	2	13	205

DUO

Type:	¹ A Height	B	C	D	E ^Ø	F	G	H	I	J	K	Tip Dimension	Heating Area m ²	NL number	² Weight
300	1790	1507	983	305	610	85	263	836	963	1083	1443	1838	1,5/1,0	7,4 + 1,95	164
400	1839	1521	983	345	680	85	320	880	1000	1100	1460	1894	1,8/1,0	10,5 + 3,25	198
500	1853	1496	1095	370	760	85	370	930	1095	1195	1465	1920	2,0/1,0	13,7 + 4,5	218

¹with insulation; ²in kilogram

Buffer P/PR



Type:	Height A	B	C	¹ D ^Ø	E	F	G	H	Tip Dimension	² HE-m ²	litres	³ Weight
300	1360	660	210	550	210	460	790	1110	1385	1,2	6	65
400	1400	810	205	650	205	510	810	1115	1425	1,4	7	80
500	1640	1105	205	650	205	605	995	1375	1665	1,8	9	88
800	1700	930	260	790	260	630	1030	1430	1740	2,4	12	141
1000	2050	1030	310	790	310	745	1250	1710	2100	3,0	16	156
1250	2030	1016	296	950	296	730	1235	1695	2100	3,0	16	170
1500	2150	1172	372	1000	372	817	1342	1752	2215	3,6	22	185
2000	2380	1120	317	1100	317	900	1490	2020	2440	4,2	26	211
3000	2660	1430	355	1250	355	955	1705	2255	2850	4,2	26	300
4000	2840	1555	490	1400	490	1090	1840	2390	3040	5,0	30	380
5000	2935	1540	540	1600	540	1110	1770	2400	3140	6,0	37	450

¹without insulation; ²heat exchanger area in m²; ³in kilogram, without heat exchanger

Subject to technical changes and error



BioEnergieTeam® GmbH
Pettenkoflerstraße 14
83052 Bruckmühl/Heufeld
Germany

Phone: +40-(0)8061-49599-0
Fax: +40-(0)8061-49599-99
info@bioenergieteam.eu

For your local **BET partner**
refer to:
www.bioenergieteam.eu



Fresh water technology

Biomass heating systems

Heat pumps

► Solar Energy